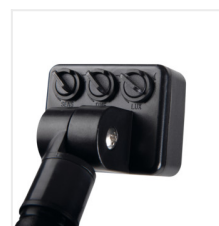


GRUN V2 LED SE

Naświetlacz Led



[V] 220-240 AC	[Hz] 50/60	[°] 110	≥15000	[h] 20000	Tc [K] 4000	ellipse ≤ 6x MacAdam
Ra ≥80	SMD			IP 44		[°C] -15÷35
	[°] 180		[mm] 0,25	[mm] 0,75	[m] max 8	[°] 120
[s]-[min] 5-10	PIR	[lx] 2-2000	[m] 0,5m			



	[W]	[lm]	Tc [K]	IP		SENSOR
GRUN V2 LED-10-B-SE	31154	10	700	4000	44	czarny PIR
GRUN V2 LED-20-B-SE	31155	20	1500	4000	44	czarny PIR
GRUN V2 LED-30-B-SE	31156	30	2300	4000	44	czarny PIR
GRUN V2 LED-50-B-SE	31157	50	3800	4000	44	czarny PIR



- Materiał obudowy: stop aluminium
- Materiał szyby ochronnej: szkło hartowane
- Materiał wysięgnika: stal



GRUN V2 LED SE

Naświetlacz Led



GRUN V2 LED-10-B-SE



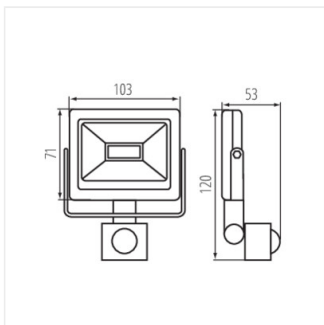
GRUN V2 LED-20-B-SE



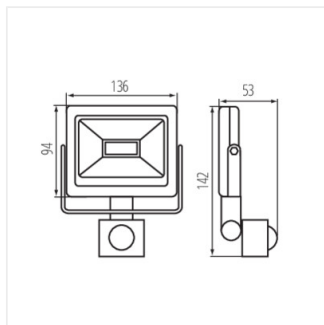
GRUN V2 LED-30-B-SE



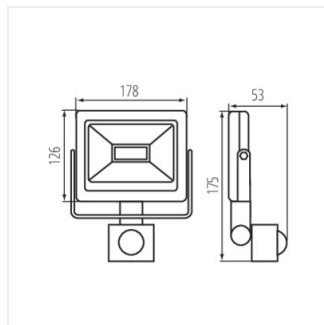
GRUN V2 LED-50-B-SE



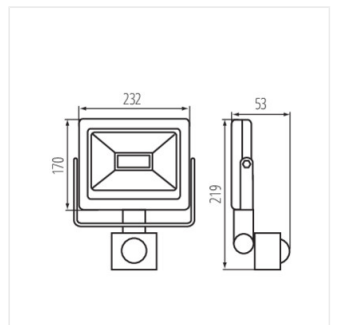
GRUN V2 LED-10-B-SE



GRUN V2 LED-20-B-SE



GRUN V2 LED-30-B-SE



GRUN V2 LED-50-B-SE